

KRANTI[®]

WATER METER

KBH



features

- Specially Designed for Hot water application upto 90° C.
- Class-B, Magnetic Transmission, Dry type IP 68 register.
- Only one moving part - the impeller - in contact with the water for minimum wear & utmost reliability.
- International Designed indicator register with 5 rollers & 4 pointers.
- The inlet filter at the inlet of the meter body permit cleaning it without breaking the meteorological seal.
- Glass window is unconditionally guaranteed for best visibility.
- Wide Range from 15mm to 50mm.

Standards
 IS 779:1994
 ISO 4064:1993

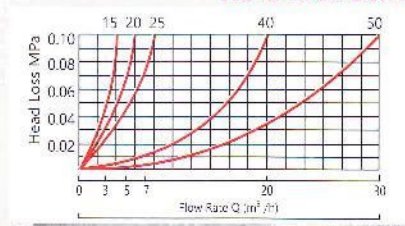
PERFORMANCE DATA

Nominal Sizes		Metro-logical Class	Q _{max} Minimum Flow Rate (m ³ /h)	Q _n Nominal Flow Rate (m ³ /h)	Q _t Transitional Flow Rate (L/h)	Q _{min} Minimum Flow Rate (L/h)	Maximum Register Capacity (m ³)	Minimum Register Capacity (L)	Accuracy Between Q _{max} & Q _t	Accuracy Between Q _t & Q _{min}
15	1/2"	Class-B	3	1.5	120	30	99999.9999	0.05	± 3%	± 5%
20	3/4"	Class-B	5	2.5	200	50	99999.9999	0.05		
25	1"	Class-B	7	3.5	280	70	99999.9999	0.05		
40	1 1/2"	Class-B	20	10	800	200	99999.9999	0.05		
50	2"	Class-B	30	15	1200	300	99999.9999	0.05		

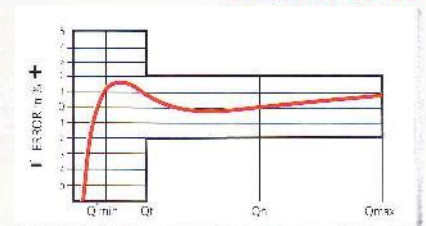
Working Conditions :

- ▶ Water Temperature ≤ 90°C
- ▶ Pressure Loss $\Delta P < 0.1 \text{ MPa}$ at Q_{max}
 $\Delta P < 0.025 \text{ MPa}$ at Q_n
- ▶ Maximum Pressure-16 Bar

HEAD LOSS CURVE



ACCURACY CURVE



Auth. Dealer :

Multi jet, Magnetic Drive Dry Dial HOT WATER METER

KRANTI[®]

WATER METER

KBM-G

Features

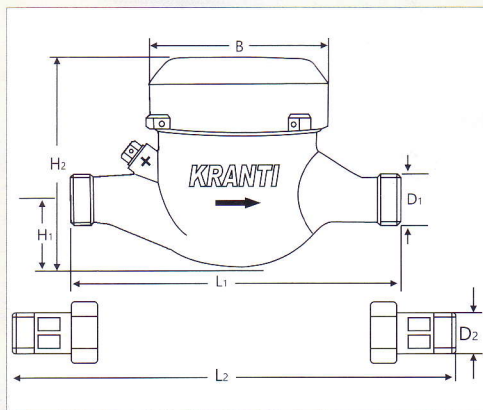
- Inferential Type Dry Dial, Multi Jet, Magnetic Transmission.
- Straight Reading Cyclometer Type register for the most comfortable reading position of 7 rollers & 2 pointers.
- Only one moving part - the impeller-in contact with the water for minimum wear & utmost reliability.
- All the materials in contact with water, consciously selected by the known resistance to corrosion.
- Wide Range of products 15mm to 50mm.



IS 779:1994



CLASS-B
CM/L-1298460



Working Conditions :

- ▶ Water Temperature $\leq 50^{\circ}\text{C}$
- ▶ Pressure Loss $\Delta P < 0.1\text{MPa}$ at Q_{max}
 $\Delta P < 0.025\text{MPa}$ at Q_n
- ▶ Maximum Pressure-16 Bar

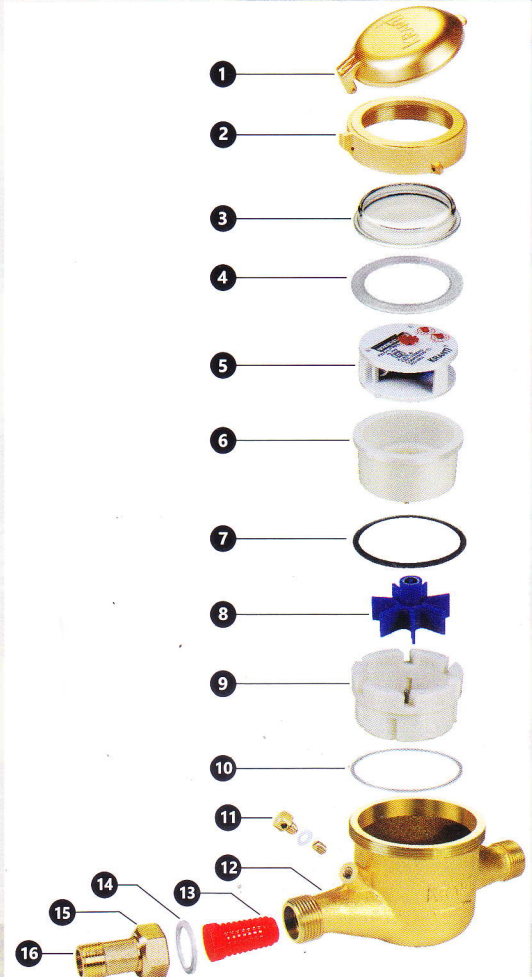
Accuracy :

- ▶ From minimum flow rate (Q_{min}) inclusive, to transitional flow rate (Q_t), exclusive : $\pm 5\%$
- ▶ From transitional flow rate (Q_t) inclusive, to maximum flow rate (Q_{max}), exclusive : $\pm 2\%$

DIMENSIONS

Model		KBM-G	KBM-G	KBM-G	KBM-G	KBM-G
Nominal Size	(mm)	15	20	25	40	50
	(Inches)	1/2	3/4	1	1½	2
D1 - Meter Connection Thread ISO 228/1		G3/4 B	G1 B	G1¼ B	G2 B	G2½ B
D2- Meter Connection Pipe ISO 7/1		R½	R¾	R1	R1½	R2
L1 - Length without Couplings (mm)		165	190	260	300	330
L2 - Length with Couplings (mm)		250	290	380	430	470
B - Width (mm) (Max.)		100	130	170	210	270
H1 - Centerline Height (Max.)		50	60	65	75	115
H2 - Overall Height (Max.)		180	240	260	300	300

Multijet, **Magnetic Drive Dry Dial WATER METER**



KRANTI[®]

WATER METER

KBM

Features

- Hermetically Sealed Plastic Can Register with protection class of IP 68.
- Life cycle & IP 68 Test passed from FCRI.
- Cost Effective - High Performance.
- Magnetic Transmission, Dry type register.
- Register can be rotated in any direction for convenient reading.
- Only one moving part-the impeller-in contact with the water for minimum wear & utmost reliability.
- Available in 15mm & 20mm.



PERFORMANCE DATA

Nominal Sizes mm Inch.	Metero-logical Class	Qmax (m ³ /h)	Qn (m ³ /h)	Qt (L/h)	Qmin (L/h)	Maximum Reading (m ³)	Minimum Reading (L)
15 1/2"	Class-B	3	1.5	120	30	9999.9999	0.05
20 3/4"	Class-B	5	2.5	200	50	9999.9999	0.05

IS 779:1994



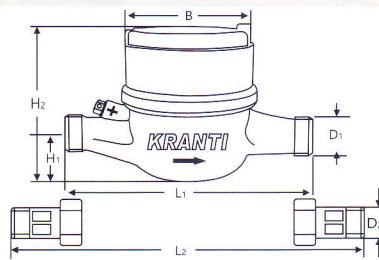
CLASS-B
CM/L-1298460

Accuracy :

- ▶ From minimum flow rate (**Qmin**) inclusive, to transitional flow rate (**Qt**), exclusive : ± 5%
- ▶ From transitional flow rate (**Qt**) inclusive, to maximum flow rate (**Qmax**), exclusive : ± 2%

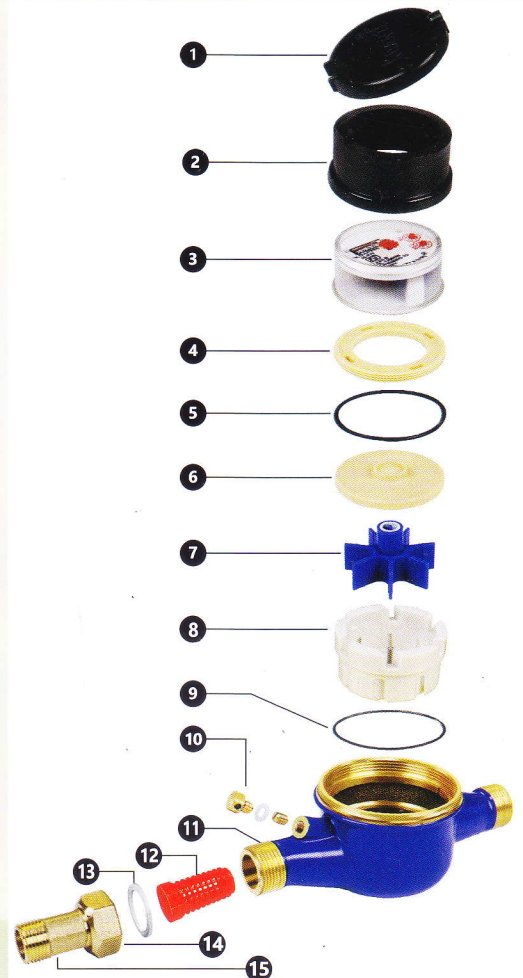
Working Conditions :

- ▶ Water Temperature ≤ 50°C
- ▶ Pressure Loss ΔP < 0.1MPa at Q_{max}
ΔP < 0.025MPa at Q_n
- ▶ Maximum Pressure-16 Bar



DIMENSIONS

Model	K B M	K B M
Nominal Size (mm)	15	20
(Inches)	1/2	3/4
D1 - Meter Connection Thread ISO 228/1	G3/4 B	G1 B
D2- Meter Connection Pipe ISO 7/1	R1/2	R3/4
L1 - Length without Couplings (mm)	165	190
L2 - Length with Couplings (mm)	250	290
B - Width (mm) (Max.)	100	130
H1 - Centerline Height (Max.)	50	60
H2 - Overall Height (Max.)	180	240



E mail : krantimeters@gmail.com - website: www.krantimeters.com